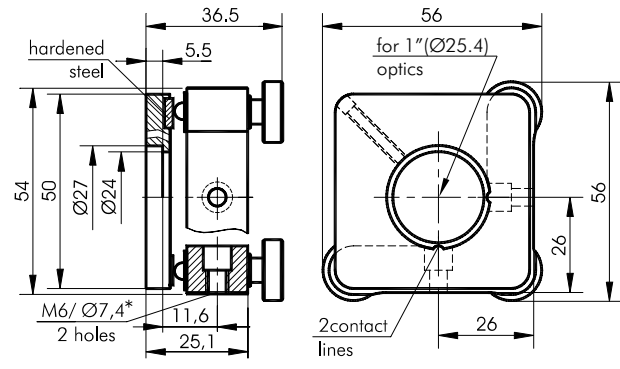


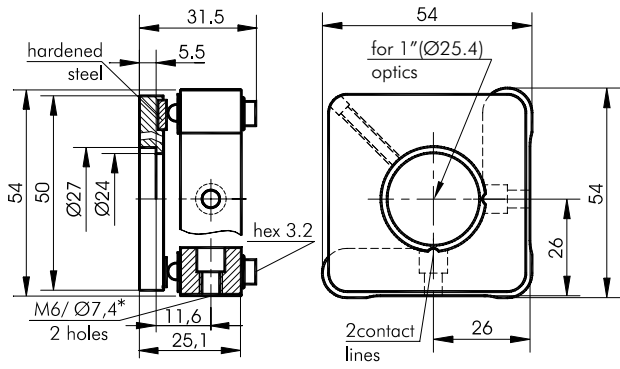
840-0032 **KINEMATIC MIRROR, BEAMSPLITTER MOUNTS**
840-0033 **(ALUMINIUM)**



- Precise and handy adjustment, angular in two orthogonal planes, and linear
- Stable vertical mounting
- Adjustment range of 9° or 5 mm
- Sensitivity of 3 arcsec or 1 µm
- Weight 0.09 kg
- Available motorized version 940-0060
- Available 2 inch version

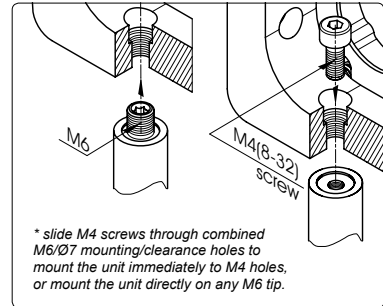


840-0033-80 comes with three Adjustment Screws 870-0080



840-0032-80 comes with three Adjustment Screws 870-0090

Kinematic Mirror/Beamsplitter Mounts 840-0032 and 840-0033 are designed for precise alignment of various optical elements to desired angular and linear orientation. Models with 2 or 3 screws are available. The base of the mount has holes Ø8.7 mm for driving screws of your choice (see section 870). As standard, we fit Fine Screws 870-0080 or 870-0090. Each screw has a hardened steel ball tip. The mounts have a one inch mounting hole with Ø24 mm clear aperture. 840-0032, 840-0033 may be mounted on one side or another, e.g. to swap left/right hand side of access to the drive relative to the beam. It mounts to an M6 screw or directly to mounting posts on their M6 tips. Put an M4 screw through the combined Ø7/M6 hole to fasten the mount to units with M4 holes. Material: Aluminium. Finish: Black anodized (by default) or any other color on request.



Code	Description	Price, EUR
840-0032-80	2 screws	65
840-0032-90	2 hex screws	59
840-0033-80	3 screws	75
840-0033-90	3 hex screws	72

Complementary Products

Code	Page
870-0080	8.143
870-0090	8.145
940-0060	8.150

OPTICAL TABLES
 BRACKETS & RAILS
 BASE MOUNTS & ACCESSORIES
 OPTICAL MOUNTS
 OPTICAL POSITIONERS
 BASE POSITIONERS
 TRANSLATION & ROTATION STAGES
 ADJUSTMENT SCREWS
 MOTORIZED POSITIONERS